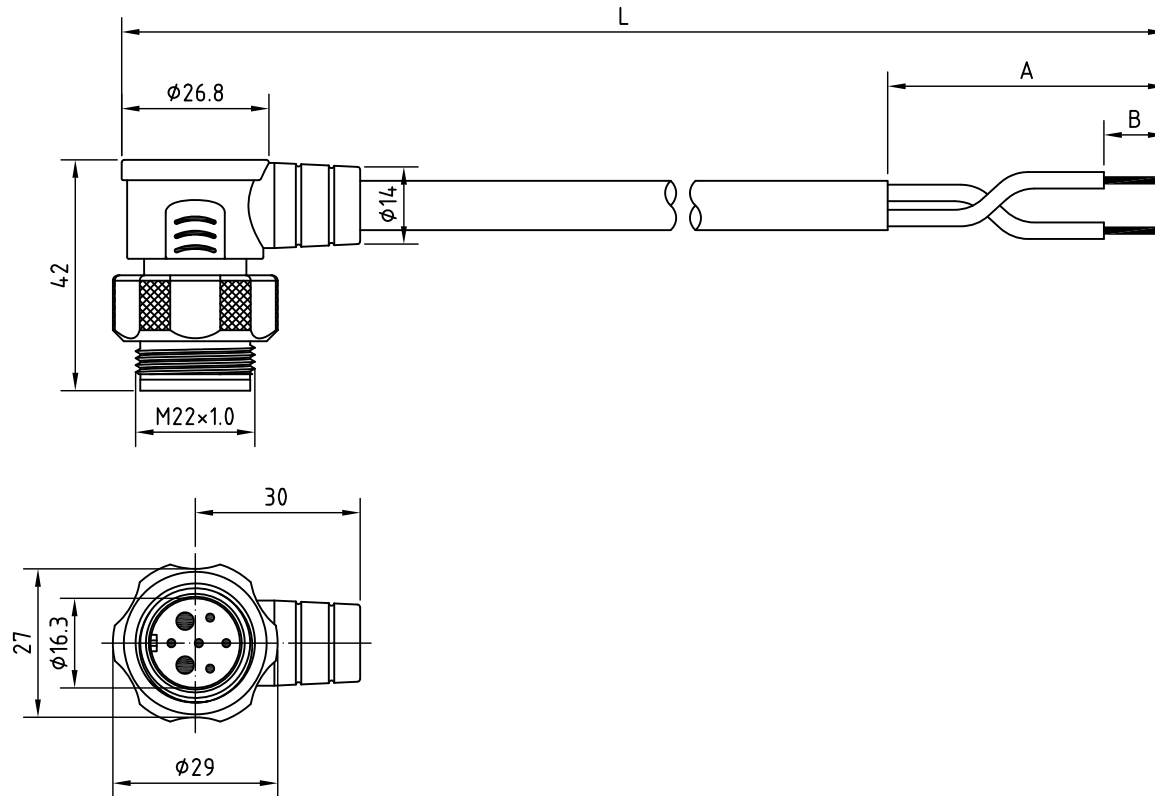


REV.	Description	Date
1	spec. revise	2012/10/31
2	rate voltage revise	2014/6/13
3	contact resistance, insertion/withdrawal force revise	2016/4/19
4	rated current revise	2018/10/5



Specification of connector

Locking system	: screw M22
Shell protection	: IP67
Rated voltage	: 360V
Rated current	: Large pin 35A Small pin 10A
Contact resistance	: Large pin <5mΩ Small pin <30mΩ
Insertion force	: <80N
Withdrawal force	: <80N

Materials

Pin contact	: brass
Contact plating	: gold
Male insert	: PA
Ring nut	: chromium plated

Specification of cable

Material	Jacket	PVC	PUR

RoHS

CONTACT ARRANGEMENT FRONT VIEW (MALE)	2P	3P	4P	5AP	5BP	6AP	6BP	7P



Unicable Co., Ltd. 國陽電業有限公司

5F., No. 111-33, Sec. 4, San Ho Road., San Chung Dist., New Taipei City, Taiwan, R.O.C.
<http://www.unicable.com.tw> TEL:+886-2-2286-2122 FAX:+886-2-2286-1010

DATE	2018/10/5	PART NO.	UT-D258M1-XP
DWN	GINA	REV.	4
CHK			
UNIT	MM		

ITEM

High Power M22